

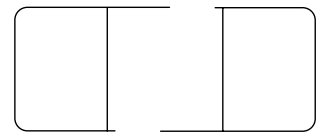
MYSLOT BOND

Relax comfortably in peace and privacy during your meetings — isn't that exactly what you'd wish for from a chair? Thanks to the new design, the MYSLOT BOND acoustic chairs can be freely combined to create any setting you desire.

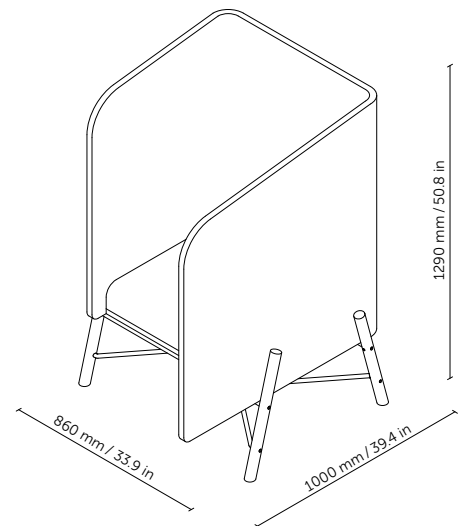




TECHNICAL DETAILS



top view



dimensions (w x h x d)	860 x 1290 x 1000 mm / 33.9 x 50.8 x 39.4 in
chair frame	oak, lacquered steel
back rest + pillow	upholstered acoustic PET material
finish	decorative fabric (refer to swatches)
acoustic properties	NRC = 0,55 [-]; aw = 0,60 [-]

* NRC – noise reduction coefficient (250 Hz–2000 Hz)
aw – average absorption coefficients (250 Hz–4000 Hz)

All intellectual property rights („Rights“), whether registered or not, relating to any content, texts, photographs, images, logos, instructions, designs, technical solutions, etc. („Content“) are the property of SilentLab s.r.o. („Owner“) and any interference with these Rights to any Content or part thereof without the prior express and written consent of the Owner is not permitted.

Any use of the Content not expressly authorized in writing in advance, with the exception of internal and non-commercial use of the unmodified Content for the purposes of the customer's own order, is considered an infringement of the Owner's Rights. In particular (not exclusively), any reproduction, change, addition, merger or other modification of the Content is prohibited without the prior express written consent of the Owner.

SILENT LAB

The final product configuration may differ from the versions shown in the photographs.
SilentLab and its logo are registered trademarks of SilentLab s.r.o.

version 2024.1